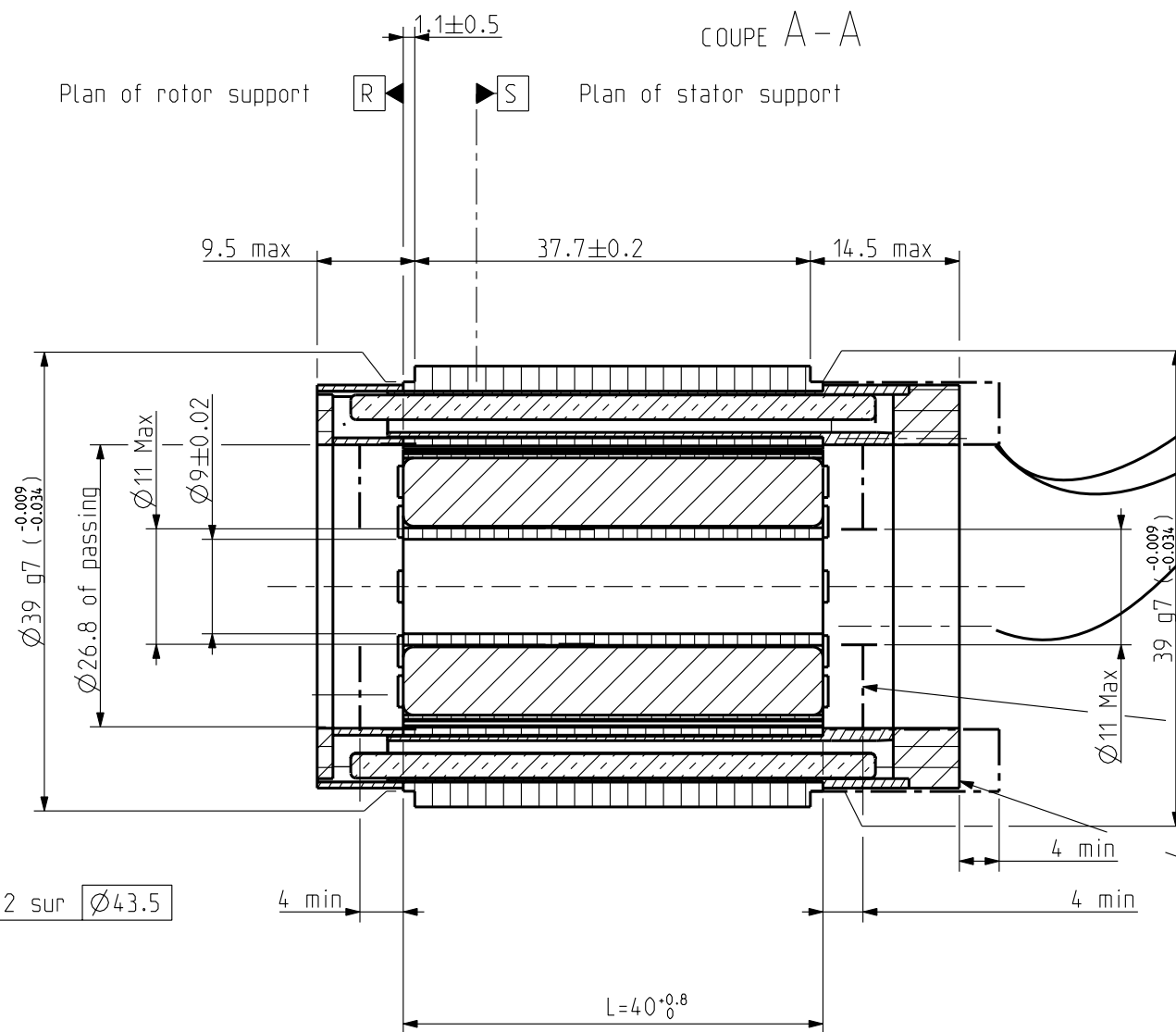


Plan of rotor support [R]      Plan of stator support [S]      COUPE A-A



Wires 0.5 mm<sup>2</sup>  
 Black : U  
 White : V  
 Red : W  
 Outside diameter on sleeve 1.7±0.2  
 Length : 150 mm

No conductive or magnetic parts should enter areas specified in dotted line

Put insulating material if the distance of insulation is smaller than 4mm

N K 1 \_ \_ E \_ \_ R 1 \_ 0 0

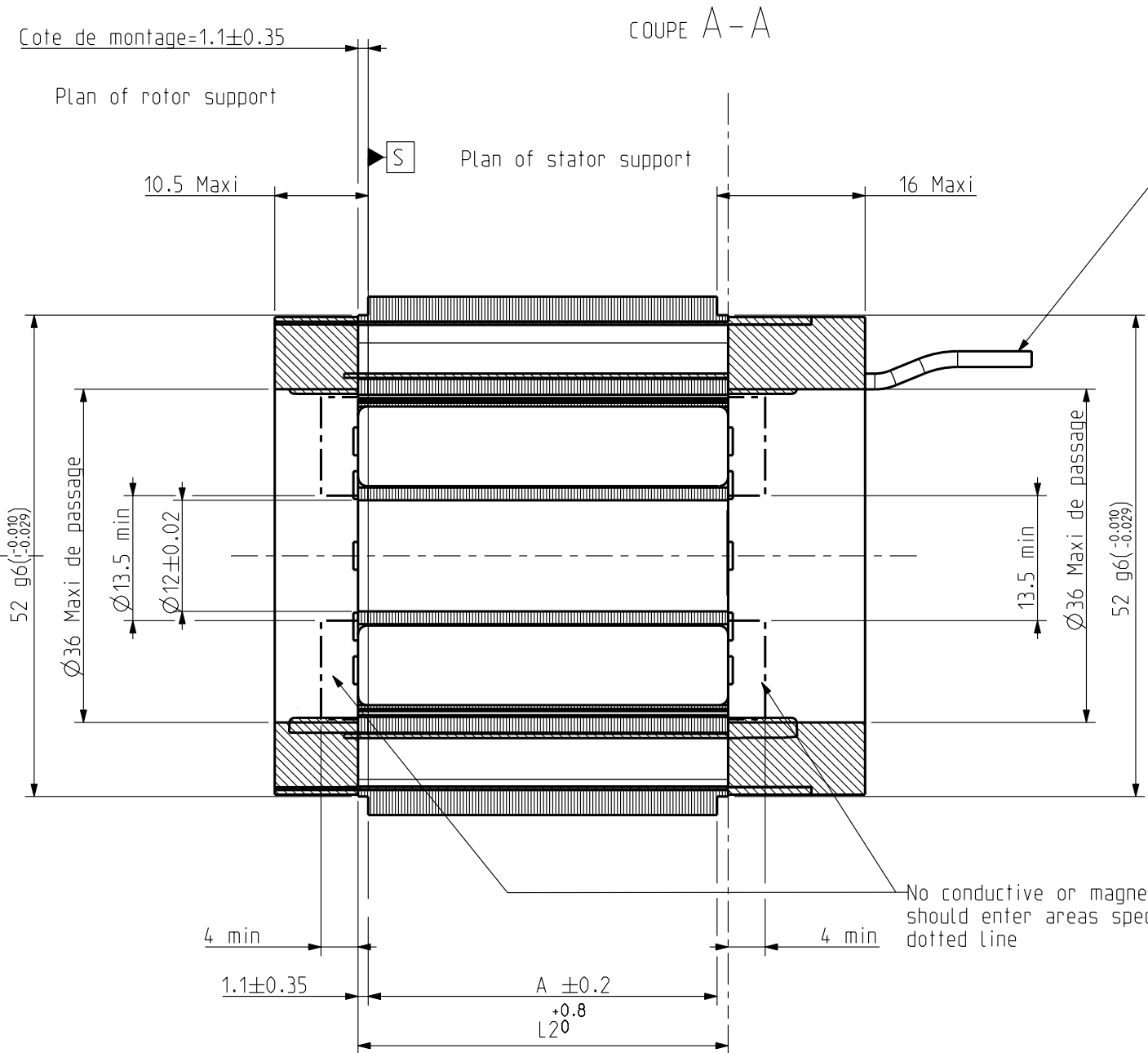
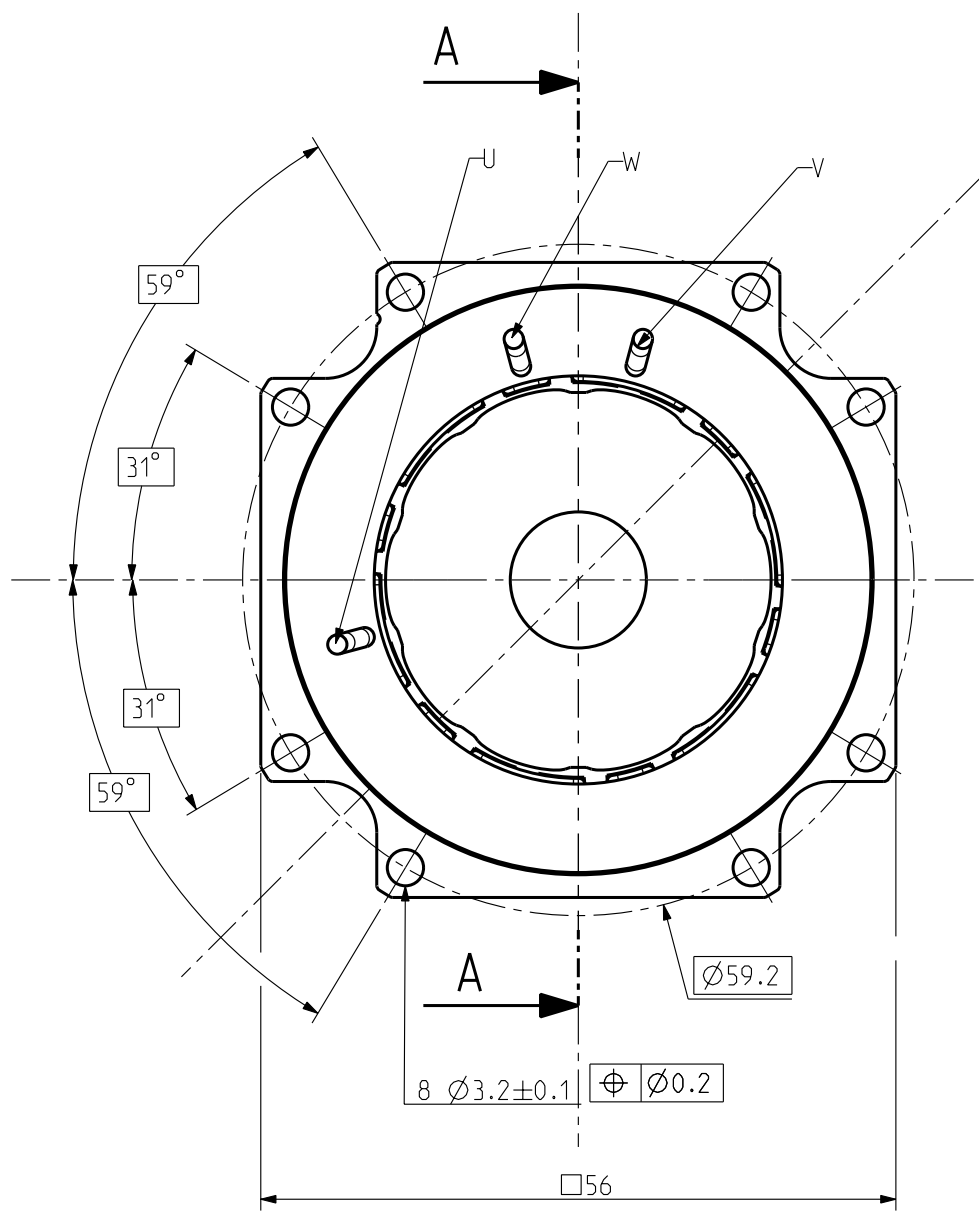
Torque classes (depends of length)

windings (depends of speed)

0 : Base motor  
 1 : PTC Probe  
 2 : Thermoswitch

K : sensorless kit motor

This document is the property of PARVEX. Transmission as well as reproduction or copy is not permitted without written authorisation.	General tolerances	Drawn	11/03/10	OD	Visa					Scale 3:2	<b>SSD Parvex</b> 8 Avenue du Lac. BP249 21007-DIJON cedex-FRANCE www.SSDdrives.com	NK110	Format	F	E	S	G	I	344443	A
	DIN ISO 2768 mK	Modifications	A	AM 23481 12/10/10 OD											Format	A3	x			



Wires 0.75 mm<sup>2</sup>  
 Black : U  
 White : V  
 Red : W  
 Outside diameter on sleeve 2.3 ± 0.2  
 Length : 150 mm

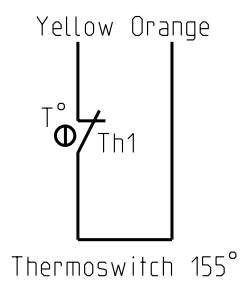
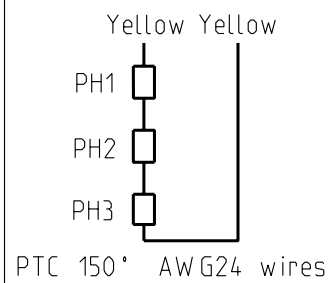
N K 2 \_ \_ E \_ \_ R 1 \_ 0 0

Torque classes (depends of length)

windings (depends of speed)

0 : Base motor  
 1 : PTC Probe  
 2 : Thermoswitch

K : sensorless kit motor



	L1	L2
NK205	17.7	20
NK206	22.7	25
NK210	37.7	40

This document is the property of PARVEX. Transmission as well as reproduction or copy is not permitted without written authorisation.

General tolerances  
 DIN ISO 2768 mK

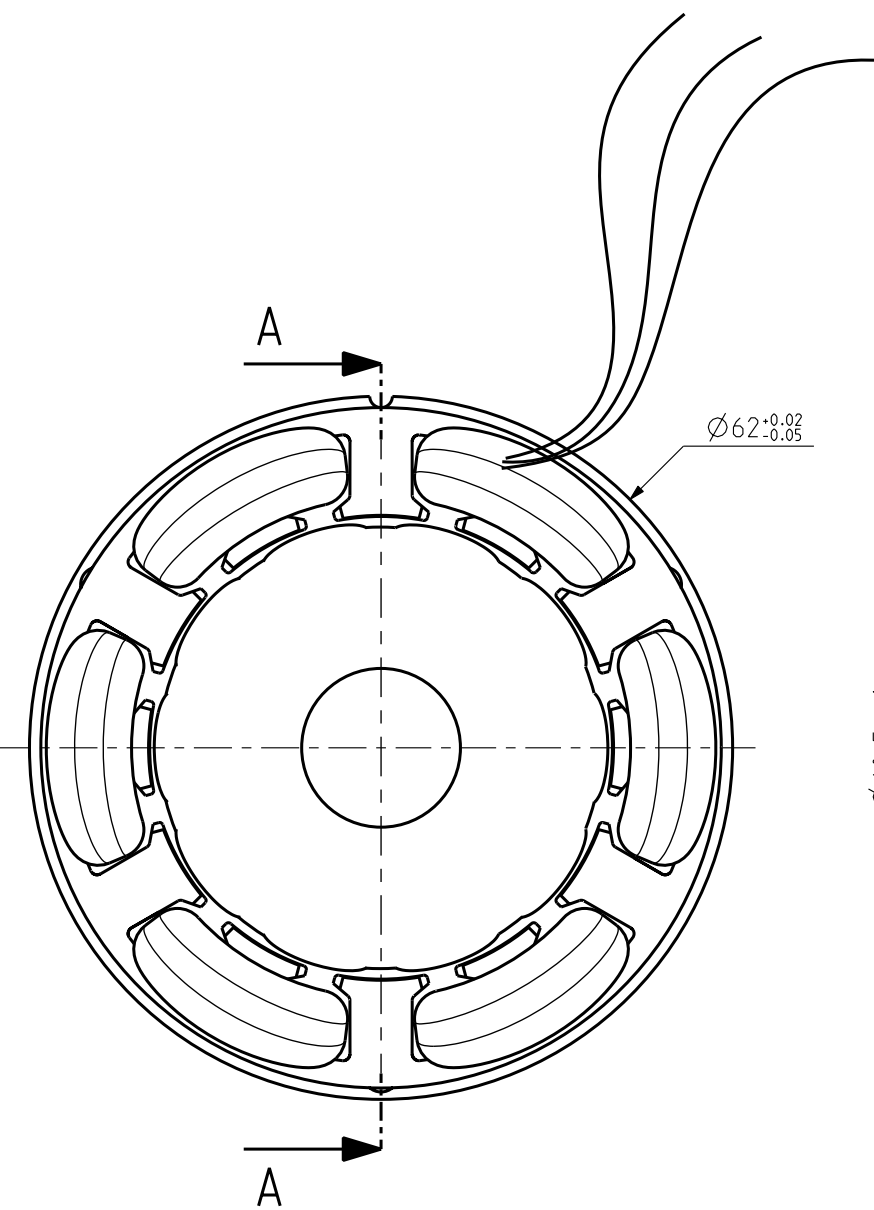
Drawn	11/03/10	OD	Visa					
Modifications								
A	AM 23481	12/10/10	OD					

Scale  
 3:2

**Parker**  
**SSD Parvex**  
 8 Avenue du Lac. BP249  
 21007-DIJON cedex-FRANCE  
 www.SSDdrives.com

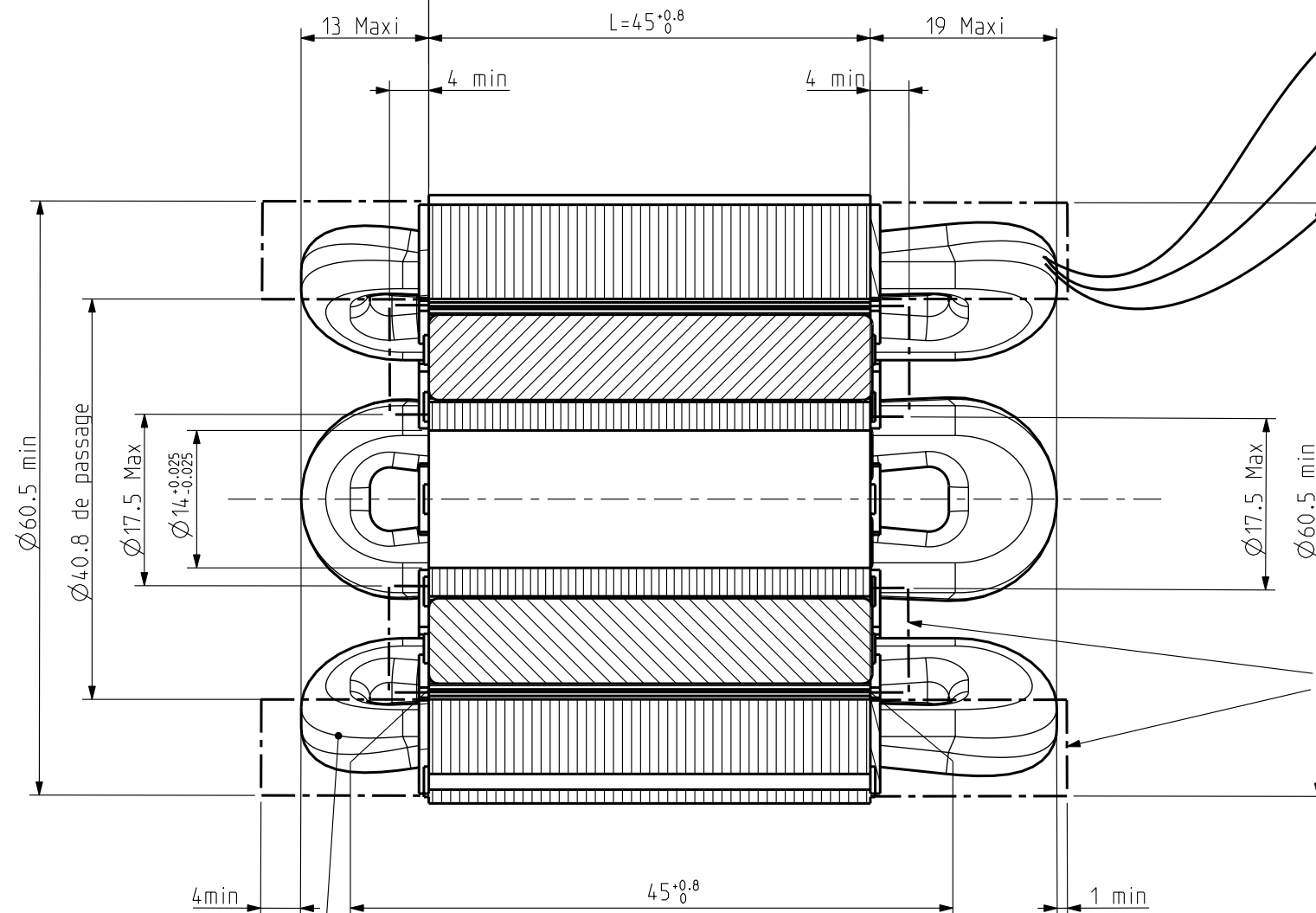
NK2..  
**OUTLINE DRAWING**

Format A3  
 F E S G I  
 x  
 344444  
 A



M plan of alignment rotor and stator  
M :  $0 \pm 0.5$

COUPE A - A

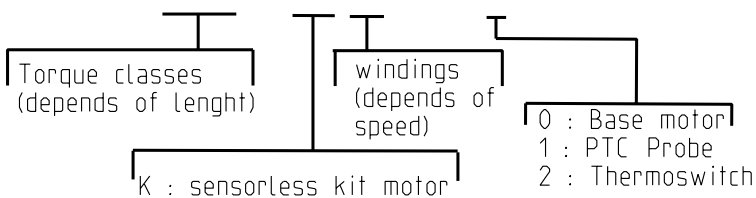


Wires AWG20 (0.517mm<sup>2</sup>)  
Black : U  
White : V  
Red : W  
Outside diameter on sleeve  $2.61 \pm 0.1$   
Length : 150 mm

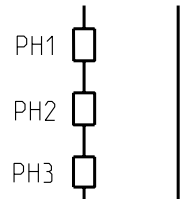
No conductive or magnetic parts should enter areas specified in dotted line

Windings are sensitive parts.  
They should not be striped or submitted shocks

N K 3 \_ \_ E \_ \_ R 1 \_ 0 0

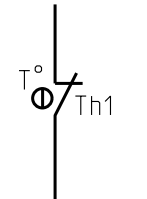


Yellow Yellow



PTC 150° AWG24 wires

Yellow Orange



Thermoswitch 155°

This document is the property of PARVEX. Transmission as well as reproduction or copy is not permitted without written authorisation.

General tolerances  
DIN ISO 2768 mK

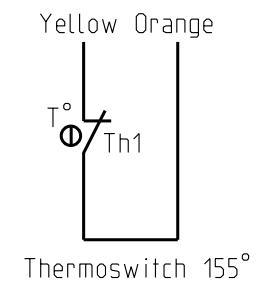
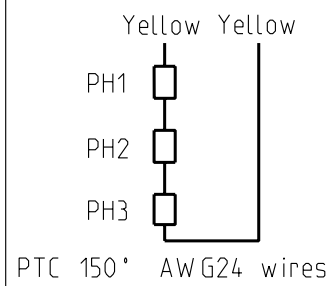
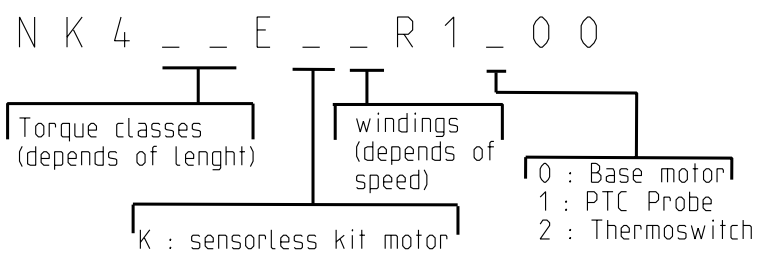
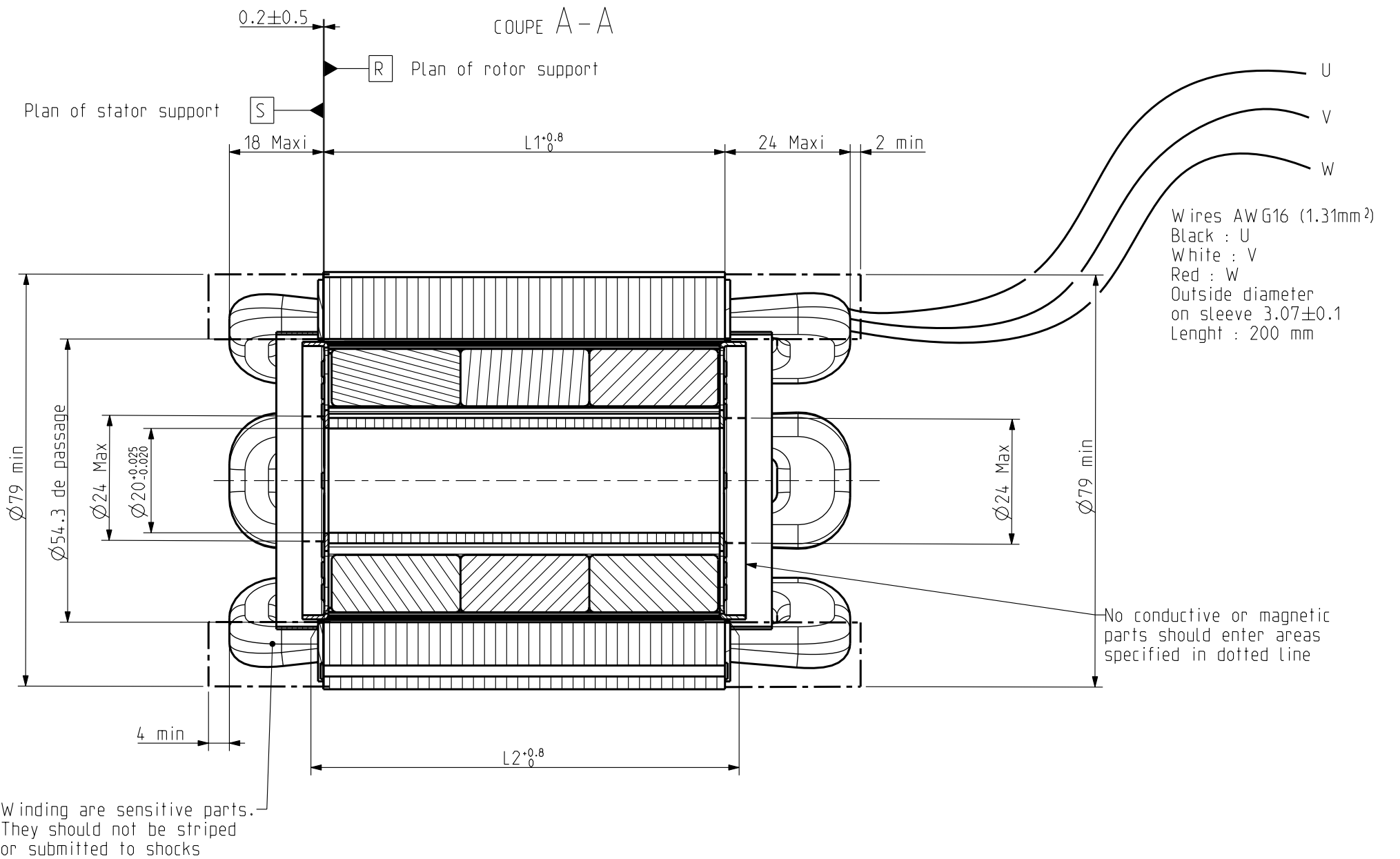
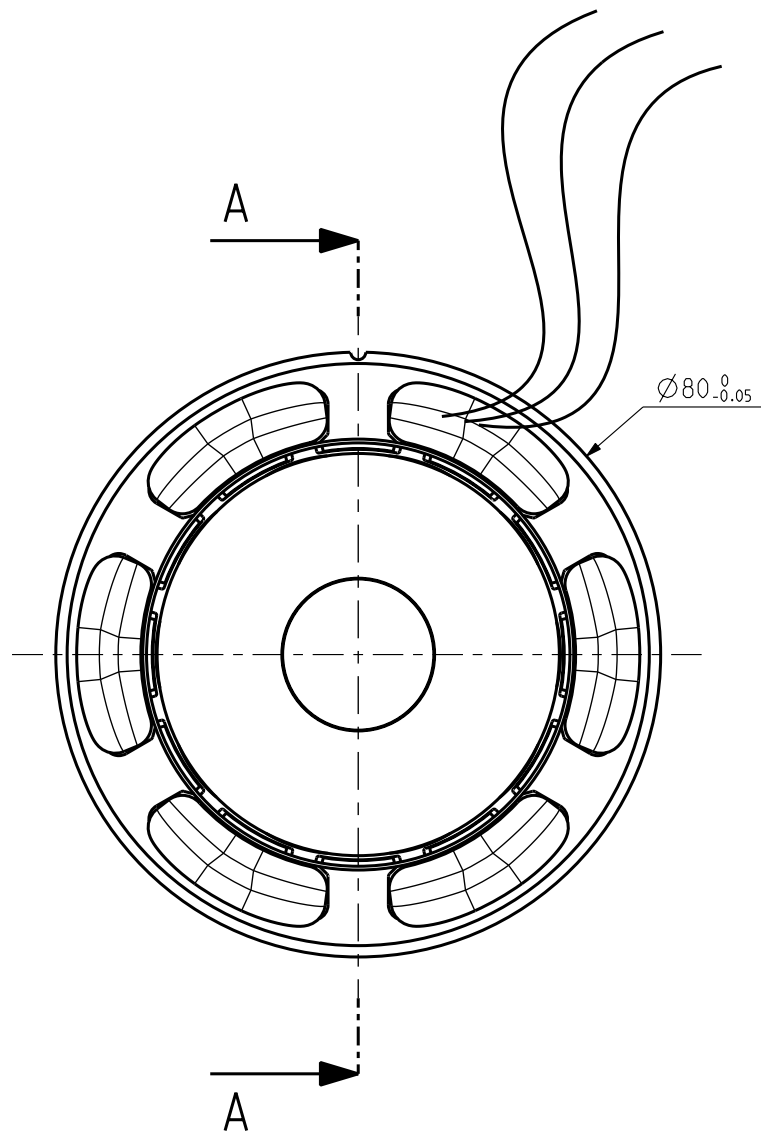
Drawn	11/03/10	OD	Visa					
Modifications								
A	AM 23481	12/10/10	OD					

Scale  
3:2

**Parker**  
**SSD Parvex**  
8 Avenue du Lac. BP249  
21007-DIJON cedex-FRANCE  
www.SSDdrives.com

NK310  
OUTLINE DRAWING

Format	F	E	S	G	I	
A3	x					
	344445					A



	L1	L2
NK420	52	51.6
NK430	77	76.6

This document is the property of PARVEX. Transmission as well as reproduction or copy is not permitted without written authorisation.

General tolerances  
 DIN ISO 2768 mK

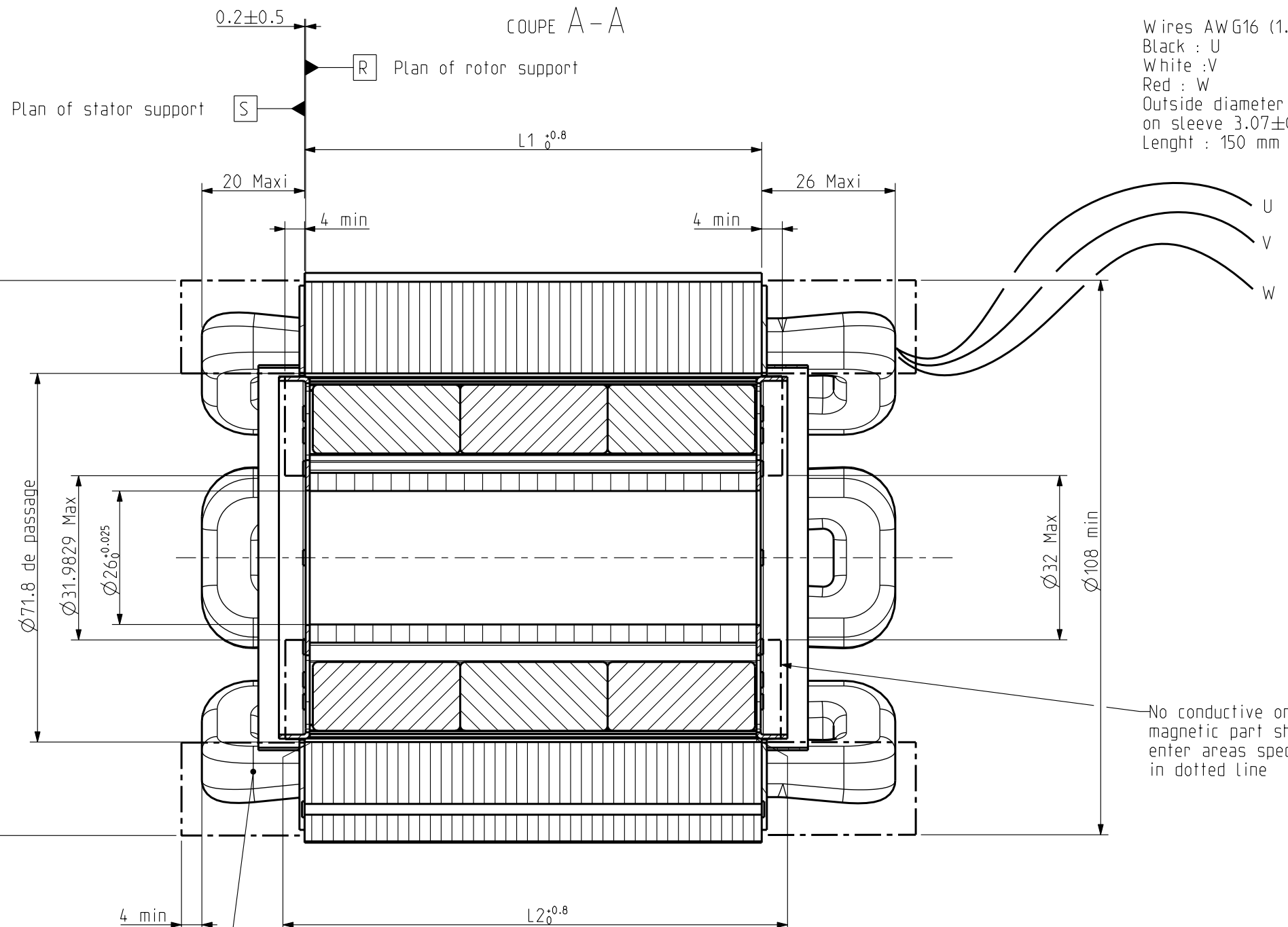
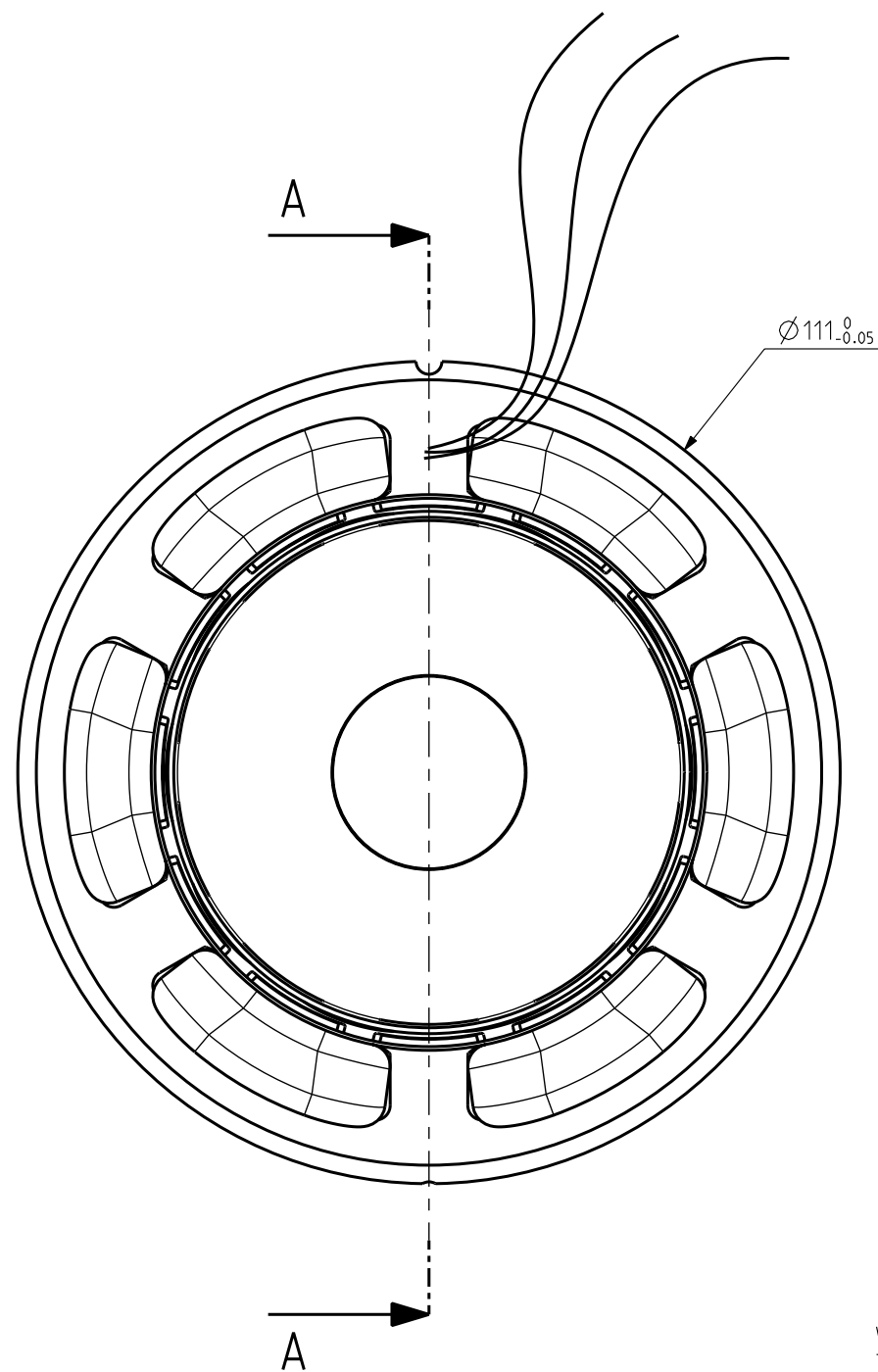
Drawn	11/03/10	OD	Visa					
Modifications								
A	AM 23481	12/10/10	OD					

Scale  
 1:1

**Parker**  
**SSD Parvex**  
 8 Avenue du Lac. BP249  
 21007-DIJON cedex-FRANCE  
 www.SSDdrives.com

NK400  
 OUTLINE DRAWING

Format	F	E	S	G	I	
A3	x					
344446						A

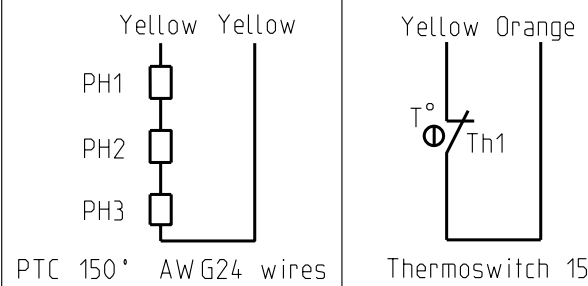
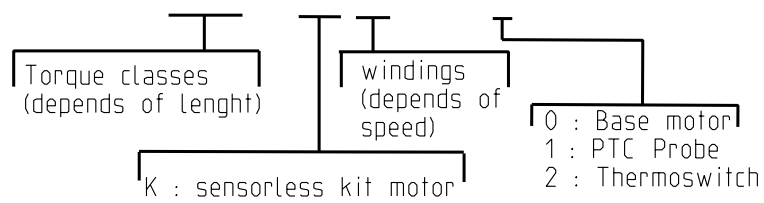


Wires AWG16 (1.31mm<sup>2</sup>)  
 Black : U  
 White : V  
 Red : W  
 Outside diameter  
 on sleeve  $3.07 \pm 0.1$   
 Length : 150 mm

No conductive or  
 magnetic part shall  
 enter areas specified  
 in dotted line

Windings are sensitive parts.  
 They should not be striped or  
 submitted to shocks

N K 6 \_ \_ E \_ \_ R 1 \_ 0 0



	L1	L2
NK620	60	59.6
NK630	89	88.6

This document is the property of  
 PARVEX. Transmission as well as  
 reproduction or copy is not permitted  
 without written authorisation.

General  
 tolerances  
 DIN ISO  
 2768 mK

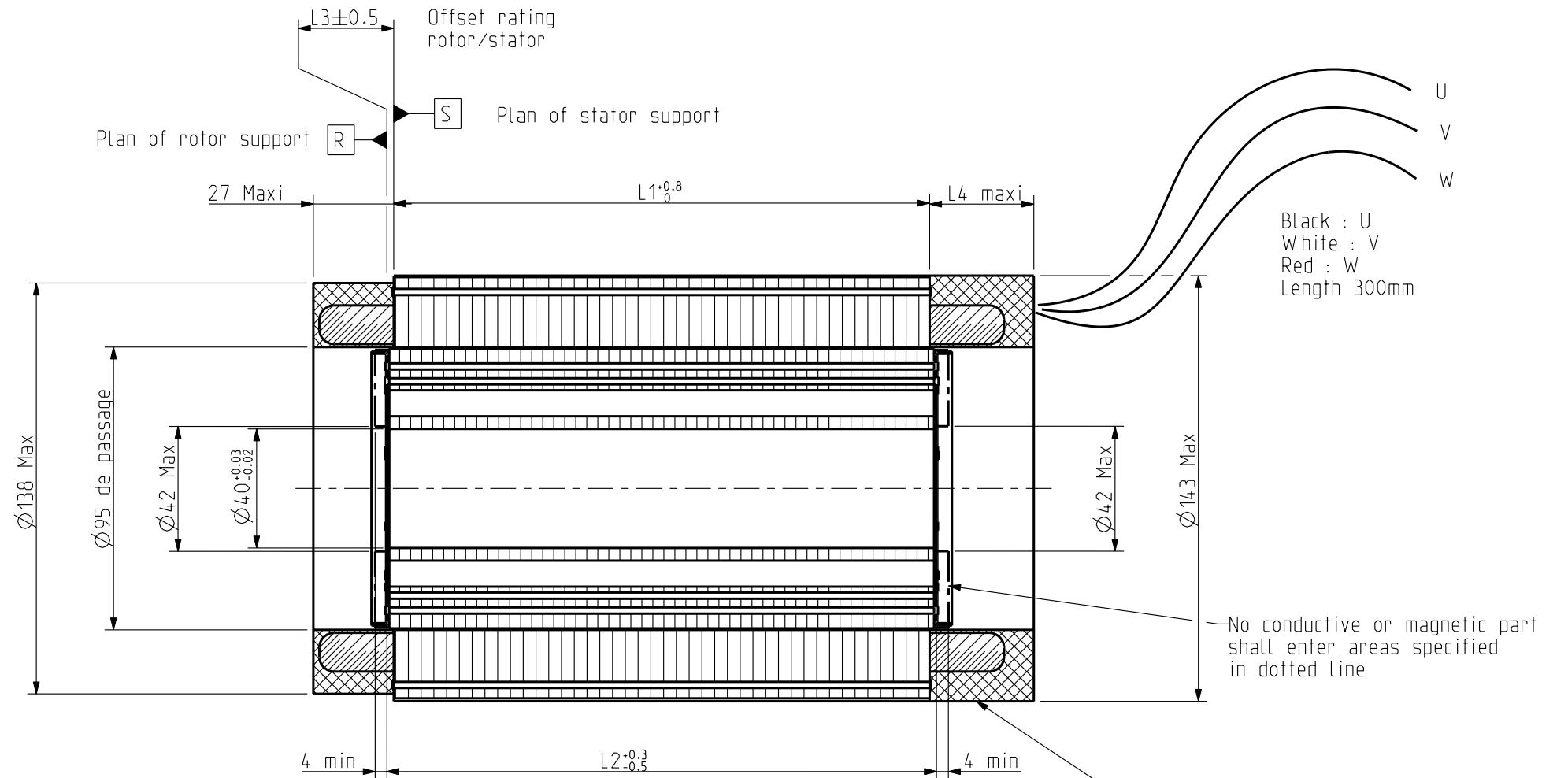
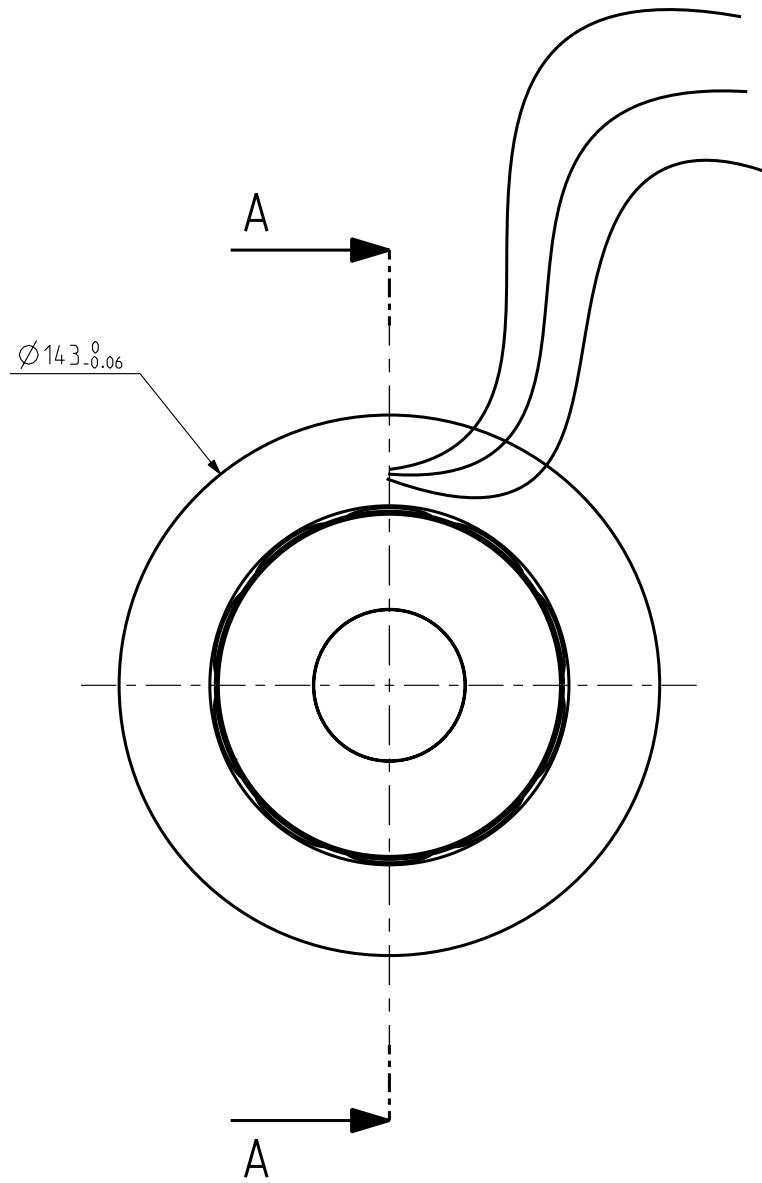
Drawn	11/03/10	OD	Visa						
Modifications									
A	AM 23481	12/10/10	OD						

Scale  
 1:1

**Parker**  
**SSD Parvex**  
 8 Avenue du Lac. BP249  
 21007-DIJON cedex-FRANCE  
 www.SSDdrives.com

NK600  
 OUTLINE DRAWING

Format	F	E	S	G	I
A3	x				
344447					A



COUPE A-A

Nota : Warning- no mechanical interference with customer housing on epoxy potting

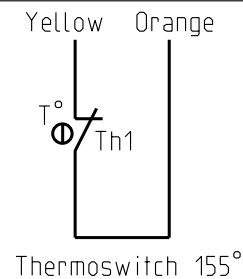
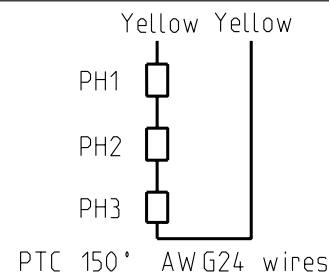
N K 8 \_ \_ E \_ \_ R 1 \_ 0 0

Torque classes (depends of length)

windings (depends of speed)

0 : Base motor  
1 : PTC Probe  
2 : Thermostat

k : sensorless kit motor



		Conductor section	L1	L2	L3	L4
NK812		AW G14 (2.08mm <sup>2</sup> )	35	39.6	2.3	32
NK820	EAR	AW G14 (2.08mm <sup>2</sup> )	60	62.6	1.3	32
	EAX					
NK840	EAH	AW G14 (2.08mm <sup>2</sup> )	120	123.6	1.8	32
	EAK					
	EAL					
NK860	EAJ	AW G14 (2.08mm <sup>2</sup> )	180	184.6	2.3	32
	EAF	AW G10 (5.26mm <sup>2</sup> )				35

This document is the property of PARVEX. Transmission as well as reproduction or copy is not permitted without written authorisation.

General tolerances  
DIN ISO 2768 mK

Drawn	11/03/10	OD	Visa					
Modifications	B	AM 23481 12/10/10 OD						
	A	AM 23478 07/10/10 OD						

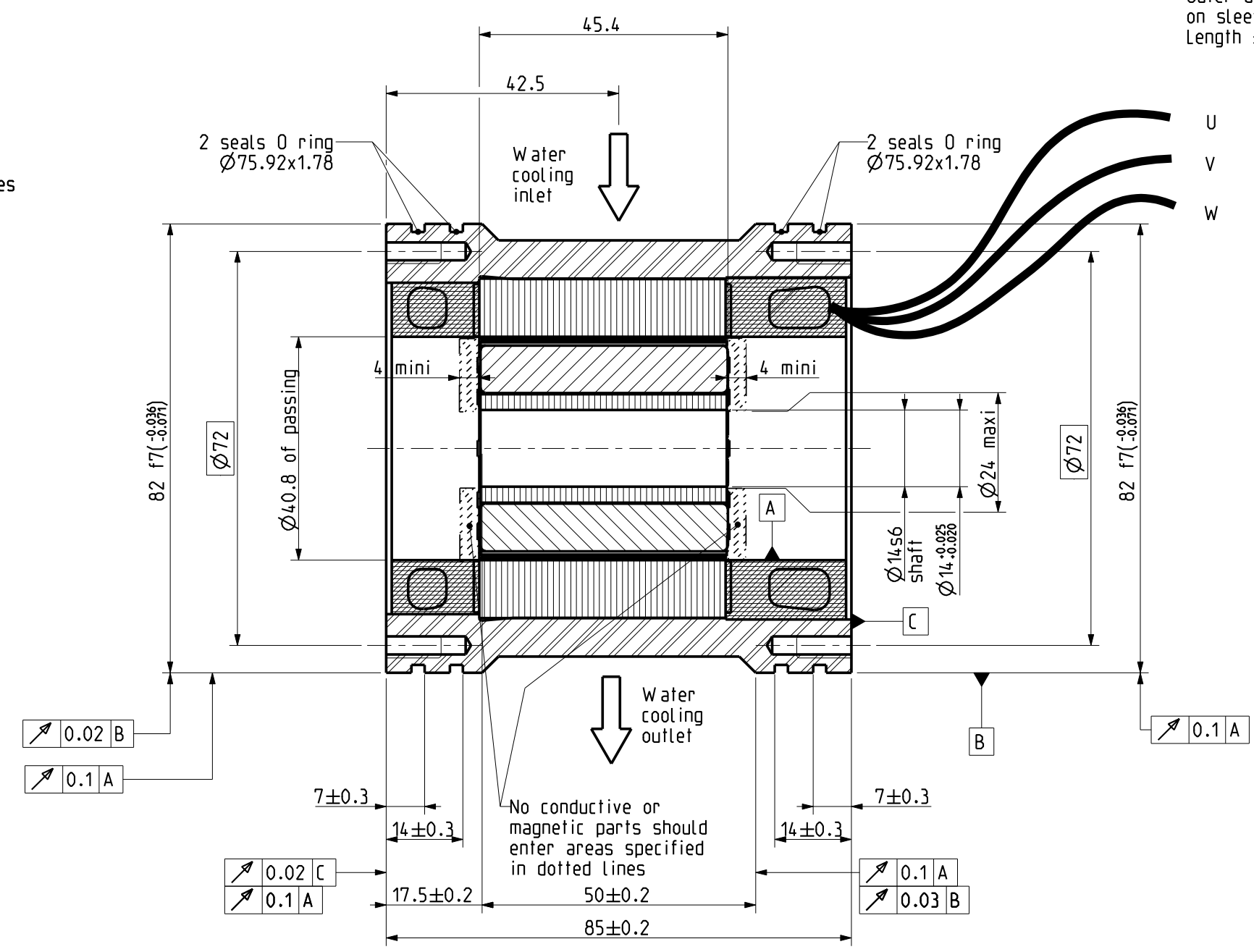
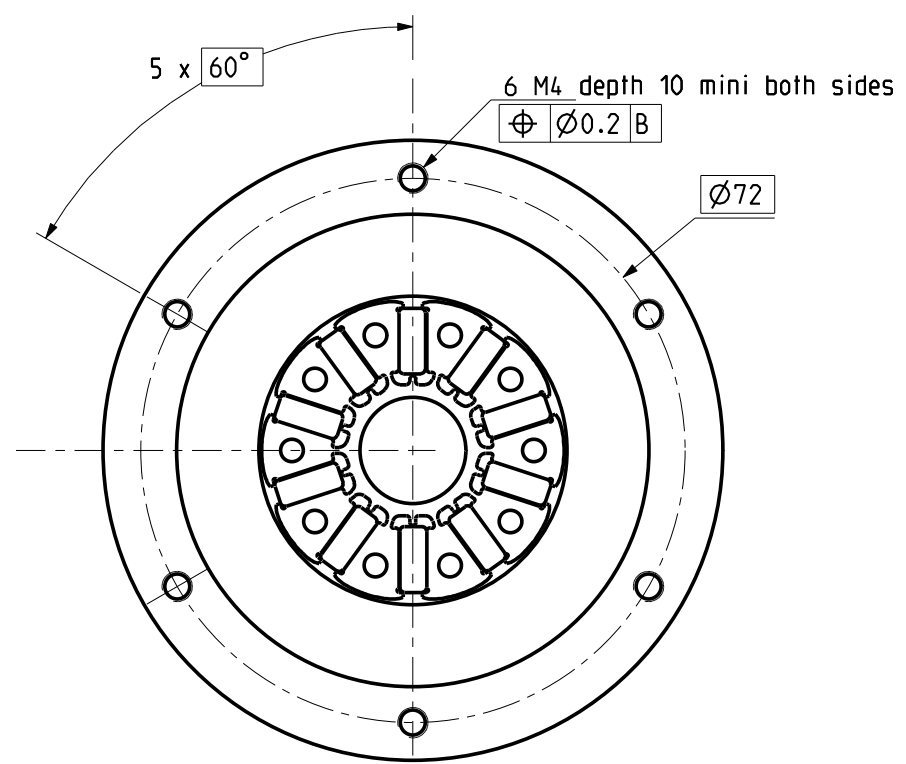
Scale  
1:2

**Parker**  
**SSD Parvex**  
8 Avenue du lac. BP249  
21007-DIJON cedex-FRANCE  
www.SSDdrives.com

NK800  
OUTLINE DRAWING

Format	F	E	S	G	I	
A3	x					
344448						B

Wires : AWG18 (0.823mm<sup>2</sup>)  
 Black : U  
 White : V  
 Red : W  
 Outer diameter  
 on sleeve : 2.82±0.1 mm  
 Length : 150 mm

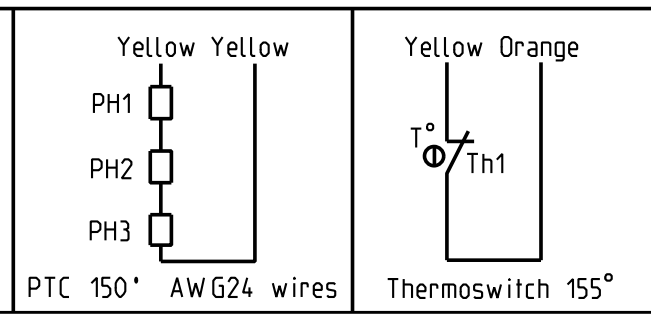


N K 3 1 0 W \_ \_ R 1 \_ 0 0

Torque classes (depends of length)  
 Windings (depends of speed)

K : Sensorless kit motor

0 : Base motor  
 1 : PTC probe  
 2 : Thermoswitch



Drawing valid for:

Weight:

This document is the property of PARVEX. Transmission as well as reproduction or copy is not permitted without written authorisation.

Drawn	31/05/10	OD	Visa					
Modifications								

Scale  
1:1

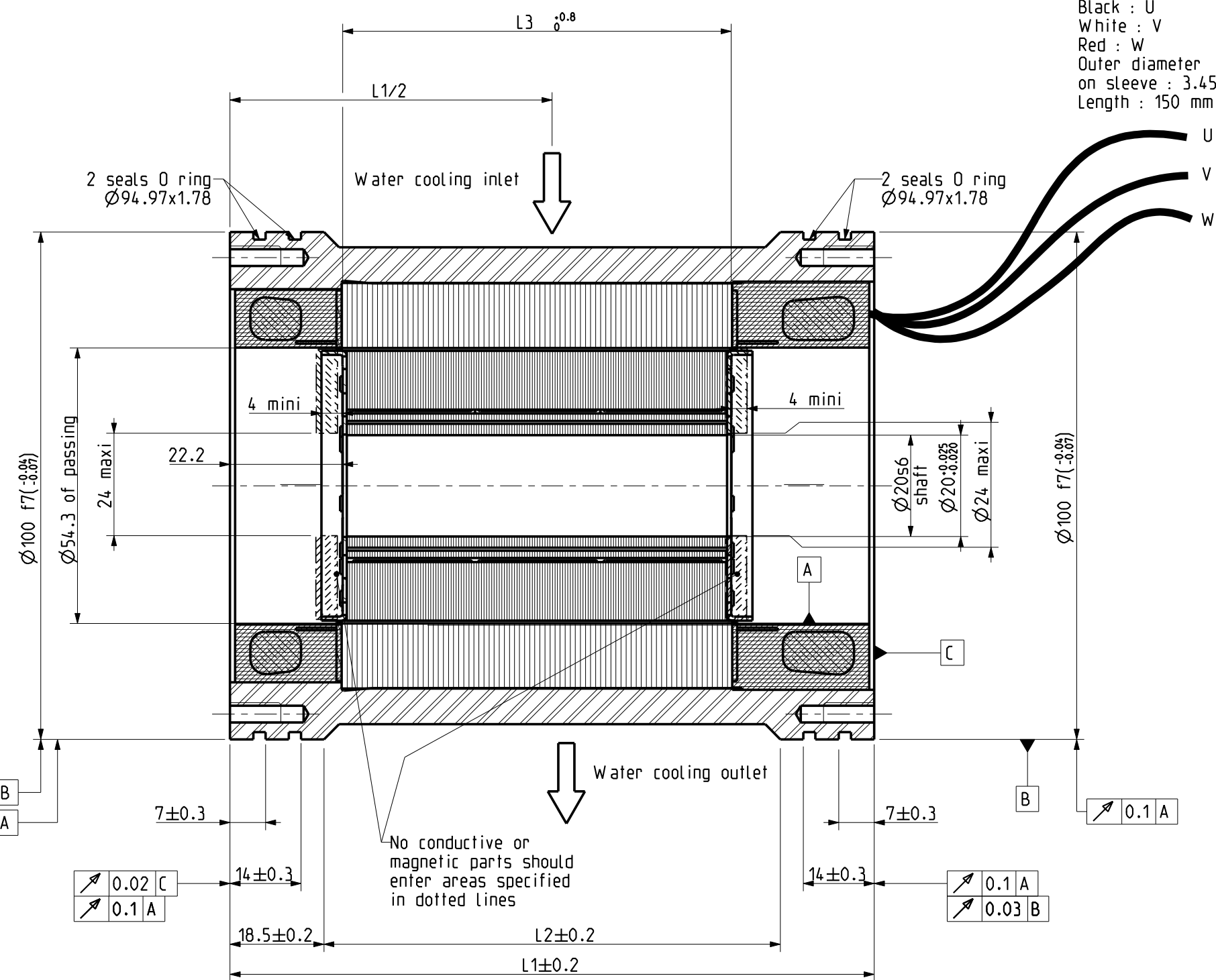
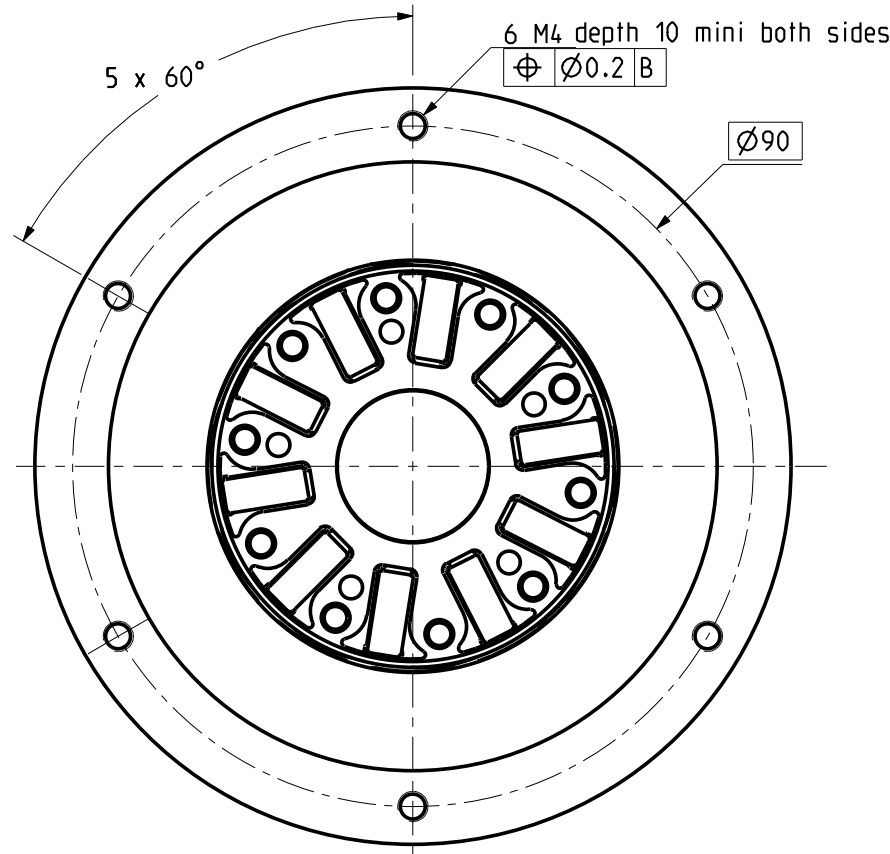
**Parker**  
**SSD Parvex**  
 8 Avenue du lac. BP 249  
 21007-DIJON cedex-FRANCE  
 www.parker.com

NK310W  
**OUTLINE DRAWING**

Format  
A3

F	E	S	G	I
	x			

345168



Wires : AWG14 (2.082mm<sup>2</sup>)  
 Black : U  
 White : V  
 Red : W  
 Outer diameter on sleeve : 3.45±0.1 mm  
 Length : 150 mm

0.02 B  
 0.1 A

0.02 C  
 0.1 A

0.1 A  
 0.03 B

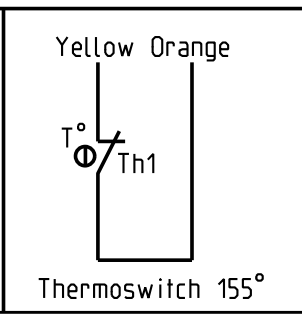
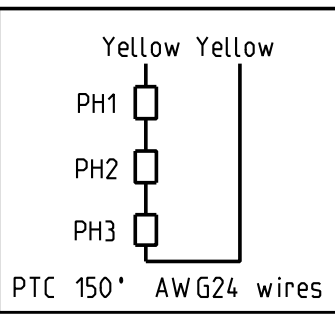
0.1 A

N K 4 2 0 W - R 1 - 0 0

Torque classes (depends of length)  
 Windings (depends of speed)

K : Sensorless kit motor

0 : Base motor  
 1 : PTC probe  
 2 : Thermostat



	L1	L2	L3
NK420W	102	65	51.6
NK430W	127	90	76.6

Drawing valid for:

Weight:

This document is the property of PARVEX. Transmission as well as reproduction or copy is not permitted without written authorisation.

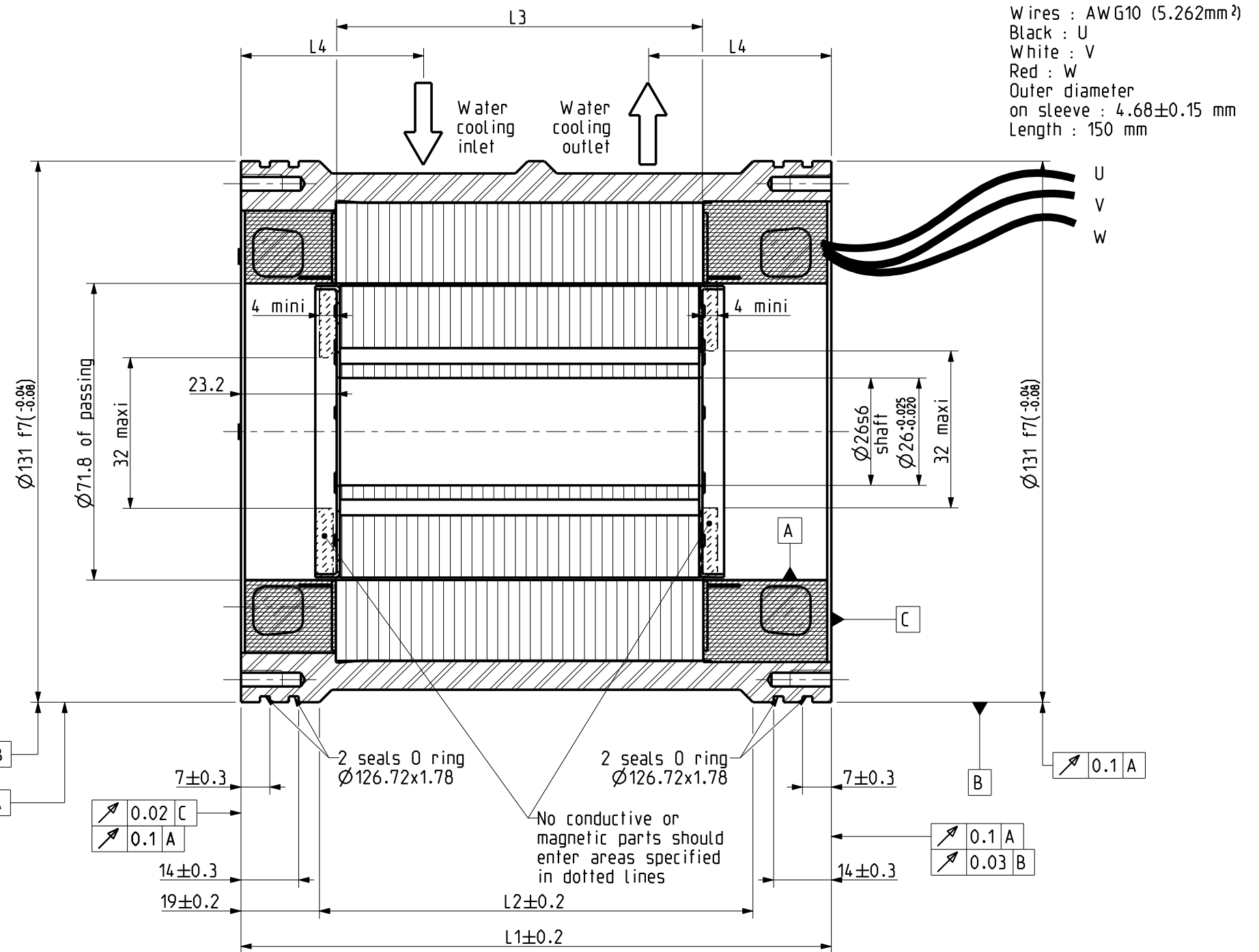
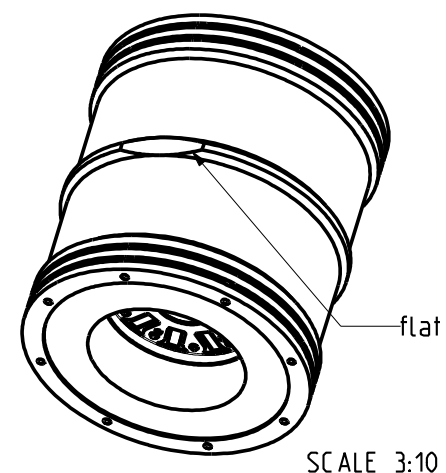
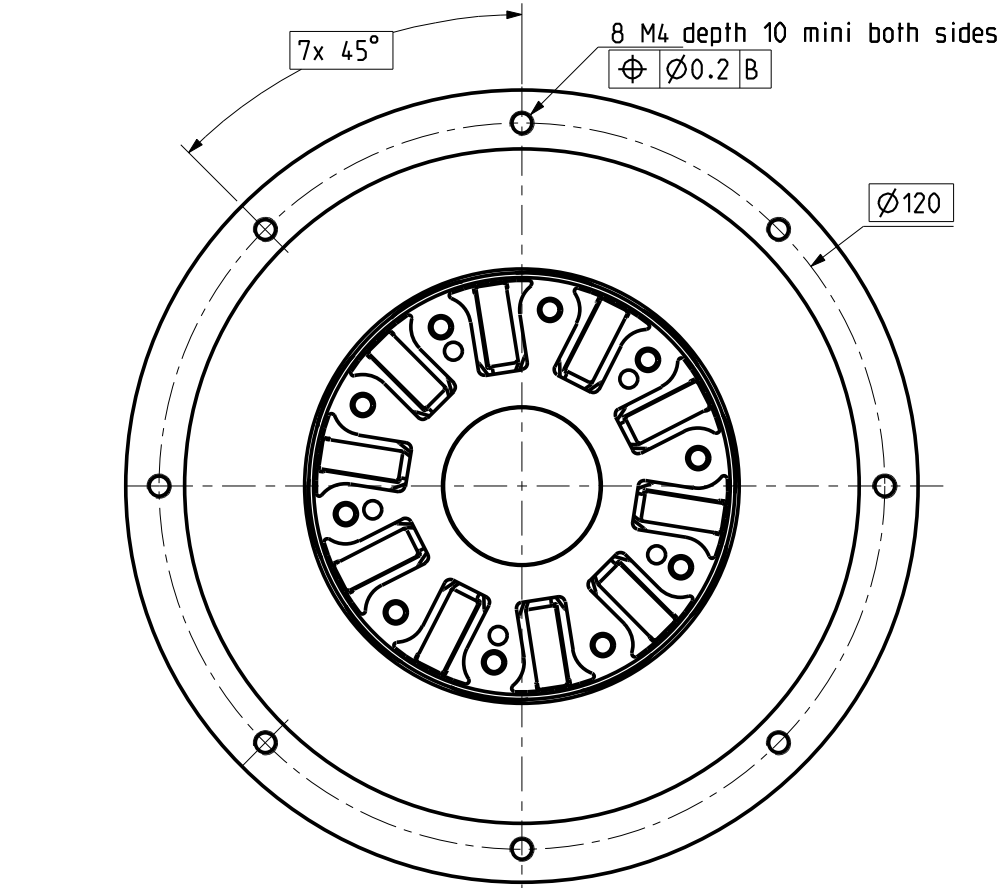
Drawn	31/05/10	OD	Visa						
Scale	1:1								

**Parker**  
**SSD Parvex**  
 8 Avenue du lac. BP 249  
 21007-DIJON cedex-FRANCE  
 www.parker.com

NK400W  
**OUTLINE DRAWING**

Format	F	E	S	G	I
A3	x				
345169					

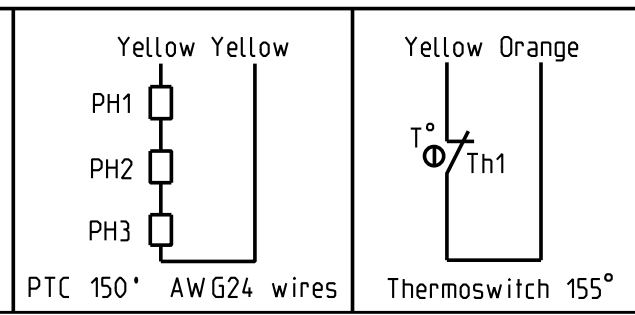




N K 6 2 0 W - R 1 - 0 0

Torque classes (depends of length)  
Windings (depends of speed)

K : Sensorless kit motor  
0 : Base motor  
1 : PTC probe  
2 : Thermoswitch



	L1	L2	L3	L4
NK620W	114	76	59.6	38
NK630W	143	105	88.6	45

Drawing valid for:

Weight:	Drawn	31/05/10	OD	Visa															
This document is the property of PARVEX. Transmission as well as reproduction or copy is not permitted without written authorisation.	Modifications																		
										<b>NK600W</b>					Format <b>A3</b>				F E S G I x
8 Avenue du lac. BP 249 21007-DIJON cedex-FRANCE www.parker.com										<b>OUTLINE DRAWING</b>					<b>345170</b>				-

